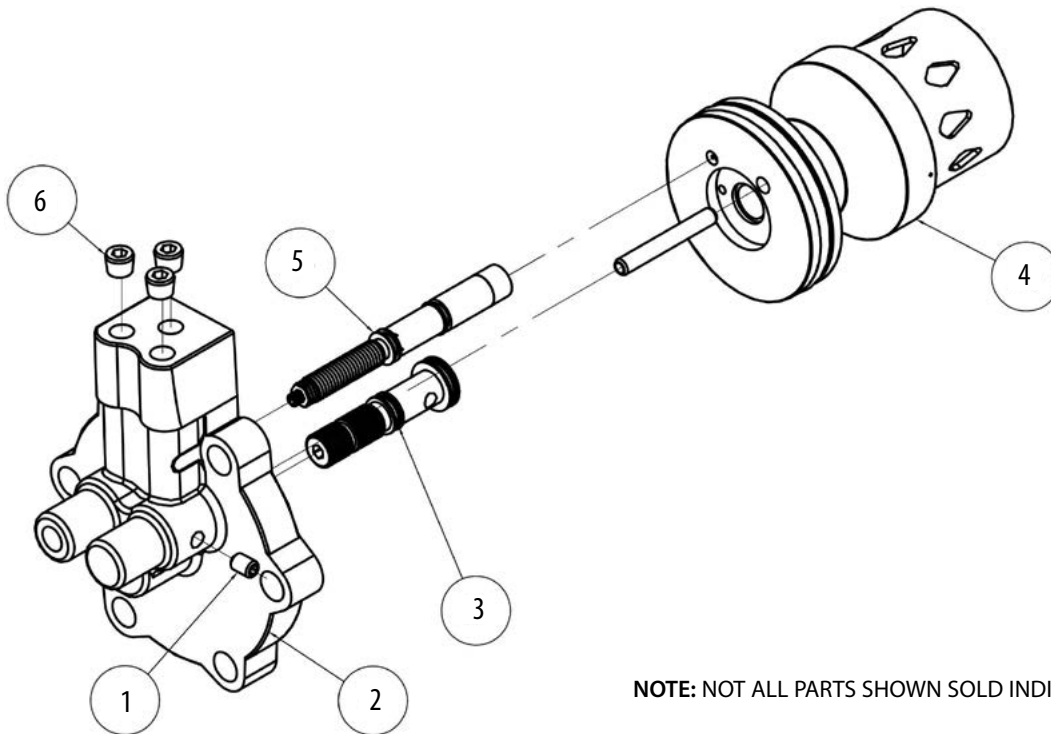


Kit # 5458A-() - Pressure Compensation (Constant Down Speed) Upgrade Kit For UV-7B

This kit is used to convert an existing, in-service, UV-7B valve into a UV-7BC (Constant Down Speed) valve.



NOTE: NOT ALL PARTS SHOWN SOLD INDIVIDUALLY

Kit Part Number & Sizes

SIZE	ASSEMBLY NO.
5	5458A-5
7	5458A-7
9	5458A-9
E	5458A-11
T	5458A-13
S	5458A-16

PARTS INCLUDED WITH KIT 5458A-()

ITEM	QTY	PART NO.	DESCRIPTION
1	1	5520	1/4-20 X 1/4" Long Brass Tube
2	1	5458	DSC Down Flange
3	1	5191BA	Leveling Adjustor Assembly
4	1	5453A-TAB	DSC Down Piston
5	1	5736A-TAB	DSC Compensator Body Assembly
6	3	5113	Pipe Plug