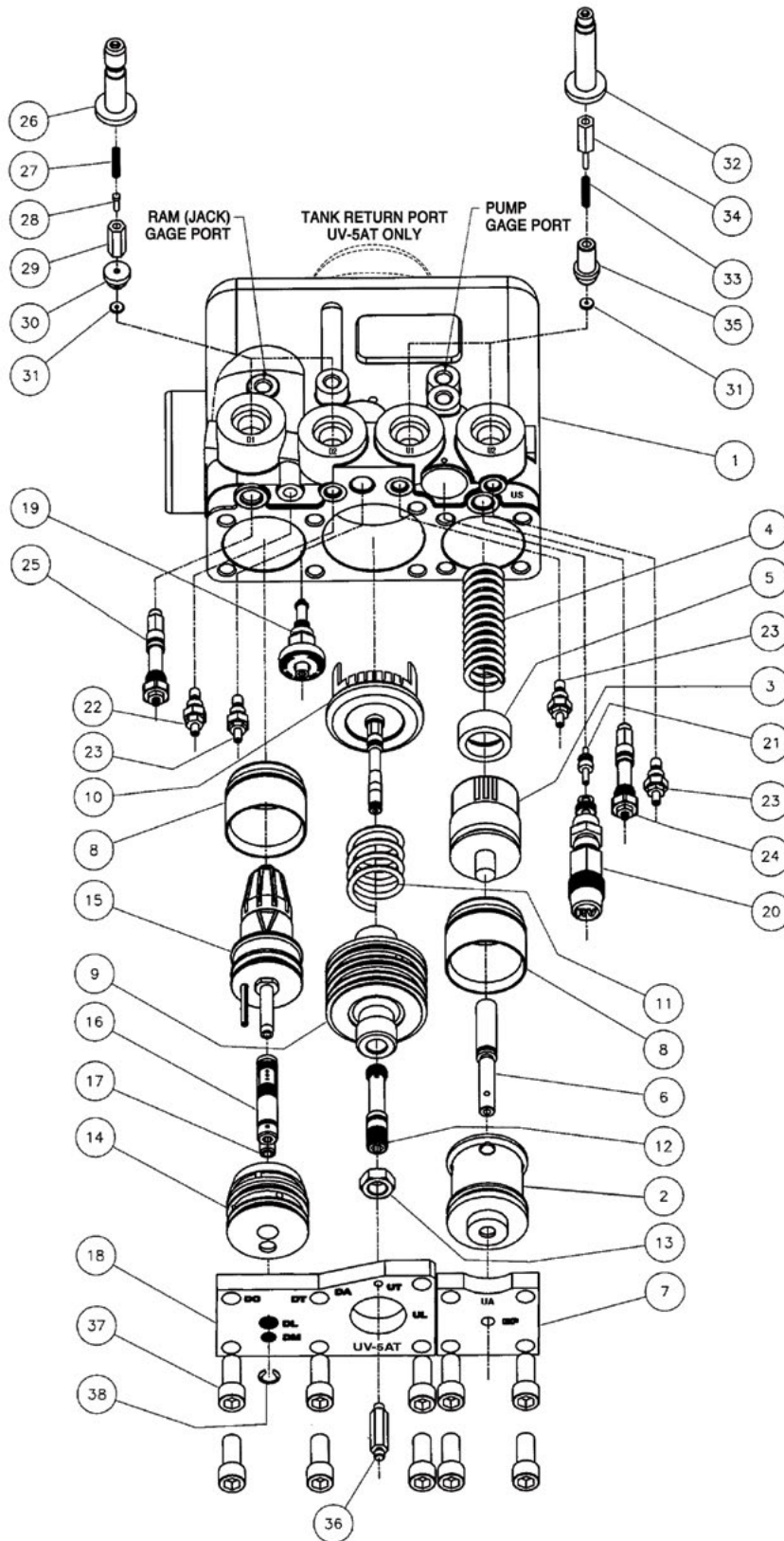


# UV-5(A/B)T Valve Exploded View

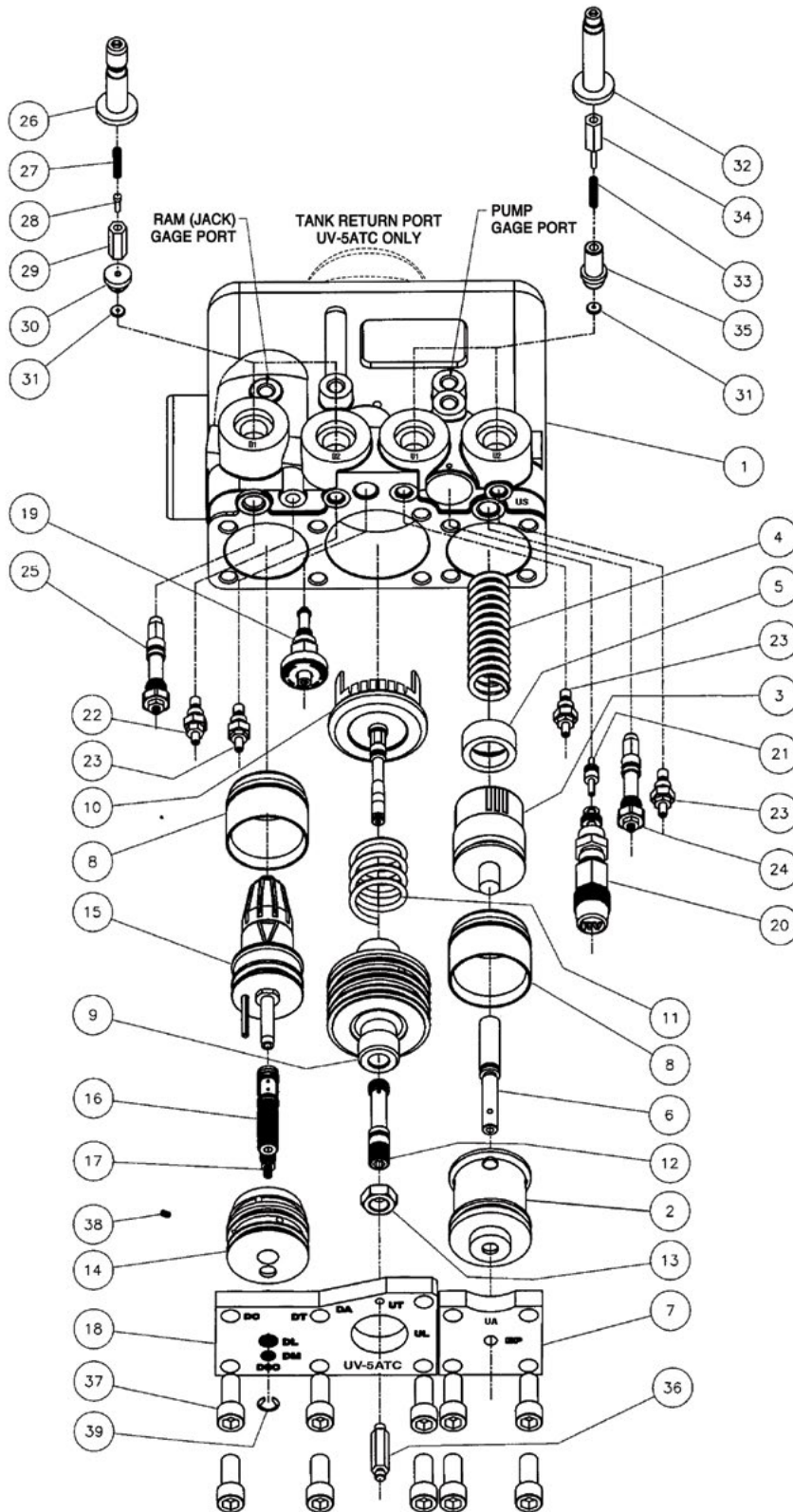


## UV-5(A/B)T Parts List

ITEM	PART NO.	DESCRIPTION	QTY.
1	5000BA	UV-5AT BODY	1
1	5900BA	UV-5BT BODY	AR
2	5012C	BYPASS CLOSURE	1
3	5007-TAB	BYPASS PISTON	1
4	5006-1	BYPASS SPRING	1
5	5132A	SPRING CAP ASSEMBLY	1
6	5010	UP FLOW CONTROL SCREW (BP)	1
7	5104G	BYPASS FLANGE	1
8	5023A	BYPASS/DOWN SLEEVE	2
9	5045D	CHECK CLOSURE	1
10	5611A-TAB	CHECK PISTON ASSEMBLY	1
11	5018	CHECK SPRING	1
12	5022B	UP LEVELING ADJUSTER (UL)	1
13	5224	CHECK JAMB NUT	1
14	5036B	DOWN CLOSURE	1
15	5623A-TAB	DOWN PISTON ASSEMBLY	1
16	5033B	DOWN LEVELING ADJUSTER (DL)	1
17	5029B	DOWN FLOW CONTROL SCREW (DM)	1
18	5609G	UV-5AT DOWN/CHECK FLANGE	1
19	5211BA	MANUAL LOWERING ASSEMBLY	1
20	5079A	RELIEF VALVE ASSEMBLY	1
21	5122BA	RELIEF VALVE PISTON	1
22	5137A	DOWN TRANSITION ADJUSTER (DT)	1
23	2400A	ADJUSTER ASSEMBLY (US, UT, DA)	3
24	5604A	UA ADJUSTER ASSEMBLY	1
25	5606A	DC ADJUSTER ASSEMBLY	1
26	5129A	N/C PLUNGER TUBE ASSEMBLY	2
27	5055	N/C NEEDLE HOLD OUT SPRING	2
28	5059	N/C HAMMER NEEDLE	2
29	5732	N/C SOLENOID HAMMER	2
30	5062	N/C NEEDLE ORIFICE BODY	2
31	5740-100	NEEDLE ORIFICE INSERT	4
32	5128A	N/O PLUNGER TUBE ASSEMBLY	2
33	5054	N/O HAMMER LIFT OFF SPRING	2
34	5130A	N/O PLUNGER ASSEMBLY	2
35	5066BA	N/O NEEDLE ORIFICE BODY ASSEMBLY	2
36	5108	COVER STAND OFF SCREW	1
37	5005	FLANGE BOLT	16
38	5035	DL RETAINING RING	1

BYPASS PISTON	CHECK PISTON	DOWN PISTON	SIZE
5007-1	5611A-3	5623A-1	1
5007-2	5611A-3	5623A-2	2
5007-3	5611A-3	5623A-3	3
5007-4	5611A-4	5623A-4	4
5007-5	5611A-5	5623A-5	5
5007-6	5611A-6	5623A-6	6
5007-7	5611A-7	5623A-7	7

# UV-5(A/B)TC Valve Exploded View

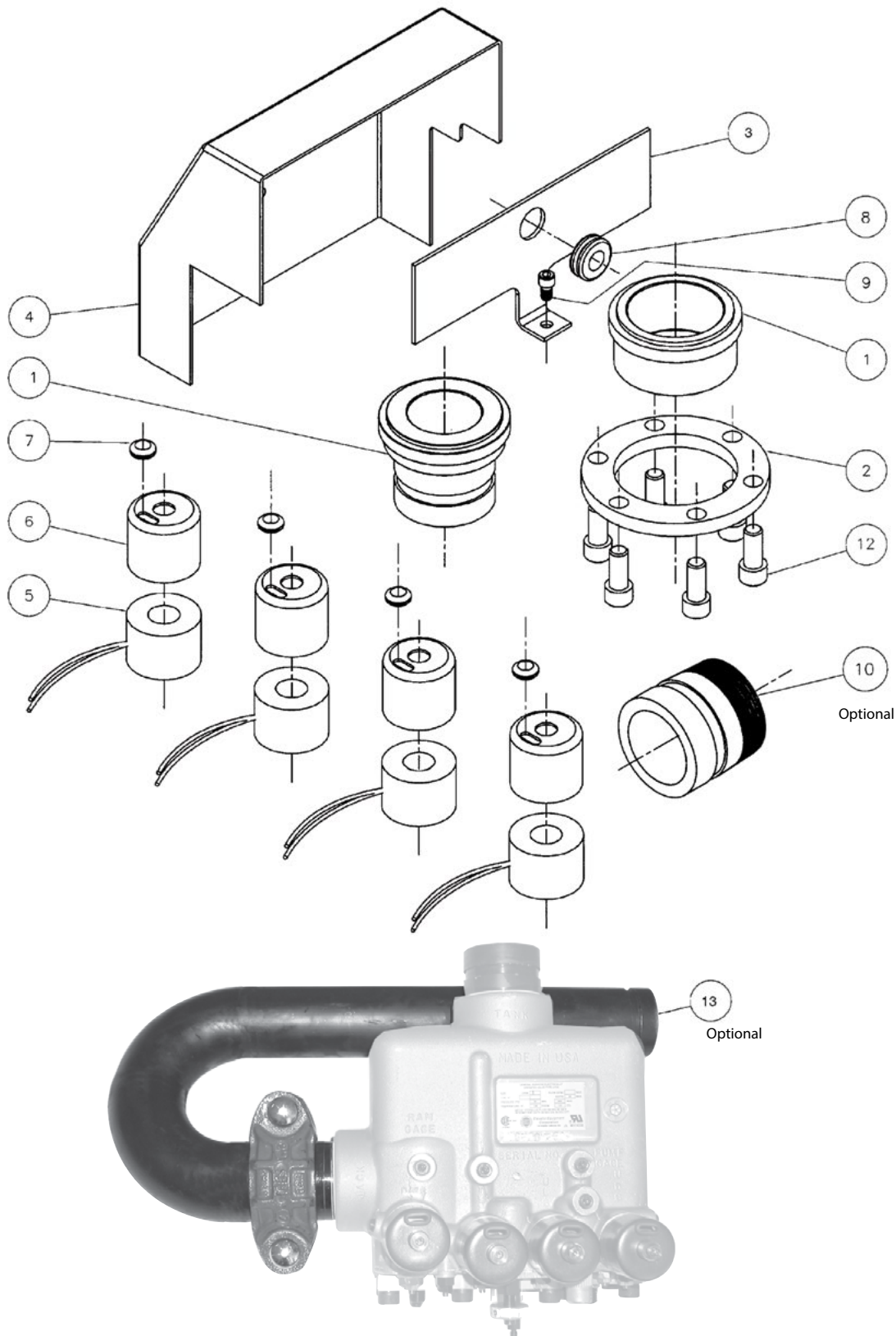


## UV-5(A/B)TC Parts List

ITEM	PART NO.	DESCRIPTION	QTY.
1	5000BA	UV-5AT BODY	1
1	5900BA	UV-5BT BODY	AR
2	5012C	BYPASS CLOSURE	1
3	5007-TAB	BYPASS PISTON	1
4	5006-1	BYPASS SPRING	1
5	5132A	SPRING CAP ASSEMBLY	1
6	5010	UP FLOW CONTROL SCREW (BP)	1
7	5104B	BYPASS FLANGE	1
8	5023A	BYPASS/DOWN SLEEVE	2
9	5045D	CHECK CLOSURE	1
10	5611A-TAB	CHECK PISTON ASSEMBLY	1
11	5018	CHECK SPRING	1
12	5022B	UP LEVELING ADJUSTER (UL)	1
13	5224	CHECK JAMB NUT	1
14	5739	DSC DOWN CLOSURE	1
15	5509A-TAB	DOWN PISTON ASSEMBLY	1
16	5033B	DOWN LEVELING ADJUSTER (DL)	1
17	5735A-TAB	DSC COMPENSATOR BODY ASSEMBLY	1
18	5609B	UV-5AT DOWN/CHECK FLANGE	1
19	5211BA	MANUAL LOWERING ASSEMBLY	1
20	5079A	RELIEF VALVE ASSEMBLY	1
21	5122BA	RELIEF VALVE PISTON	1
22	5137A	DOWN TRANSITION ADJUSTER (DT)	1
23	2400A	ADJUSTER ASSEMBLY (US, UT, DA)	3
24	5604A	UA ADJUSTER ASSEMBLY	1
25	5606A	DC ADJUSTER ASSEMBLY	1
26	5129A	N/C PLUNGER TUBE ASSEMBLY	2
27	5055	N/C NEEDLE HOLD OUT SPRING	2
28	5059	N/C HAMMER NEEDLE	2
29	5732	N/C SOLENOID HAMMER	2
30	5062	N/C NEEDLE ORIFICE BODY	2
31	5740-100	NEEDLE ORIFICE INSERT	4
32	5128A	N/O PLUNGER TUBE ASSEMBLY	2
33	5054	N/O HAMMER LIFT OFF SPRING	2
34	5130A	N/O PLUNGER ASSEMBLY	2
35	5066BA	N/O NEEDLE ORIFICE BODY ASSEMBLY	2
36	5108	COVER STAND OFF SCREW	1
37	5005	FLANGE BOLT	16
38	5520	CLOSURE PLUG	1
39	5035	DL RETAINING RING	1

BYPASS PISTON	CHECK PISTON	DOWN PISTON	SIZE
5007-1	5611A-3	5509A-1	1
5007-2	5611A-3	5509A-2	2
5007-3	5611A-3	5509A-3	3
5007-4	5611A-4	5509A-4	4
5007-5	5611A-5	5509A-5	5
5007-6	5611A-6	5509A-6	6
5007-7	5611A-7	5509A-7	7

# UV-5(A/B)T & UV-5(A/B)TC External Parts - Exploded View





## UV-5(A/B)T & UV-5(A/B)TC External Parts List

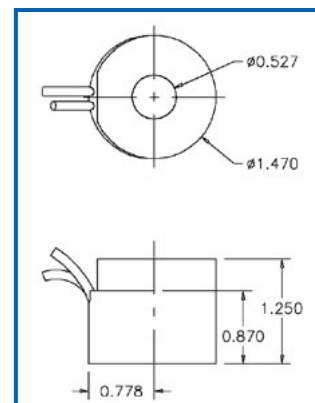
ITEM	PART NO.	DESCRIPTION	QTY.
1	5231	2"NPT PUMP INLET NIPPLE	1
2	5232	PUMP INLET CLAMP RING	1
3	5040	CONDUIT PLATE	1
4	5107	VALVE COVER	1
5	-	COILS(SEE CHART FOR VOLTAGE)	4
6	5047A	COIL TUBE COVERS	4
7	5042-1	COIL TUBE GROMMET	4
8	5038	CONDUIT PLATE GROMMET	1
9	5039	CONDUIT PLATE SCREW 1/4-20 X 1/4"	1
*10	5366	2" GROOVED ADAPTER	2
*11	5231-VC	2" GROOVED PUMP INLET NIPPLE	1
12	5005	FLANGE BOLT	6
*13	5620A	RIGHT HAND JACK PORT ADAPTER	1

\* OPTIONAL PARTS

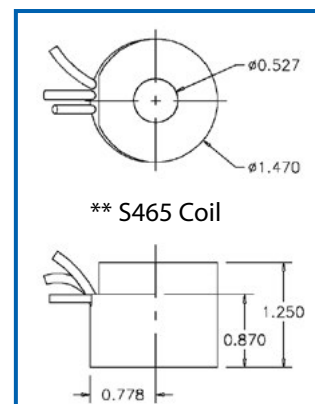
**NOTE:** NOT ALL PARTS LISTED, SOLD SEPARATELY

## UV-4R, UV-5(A/B)T & UV-5(A/B)TC Solenoid Coils

PART NO.	VOLTAGE (V)	FREQUENCY (Hz)	IN RUSH CURRENT (A)	HOLDING CURRENT (A)	RESISTANCE (Ohm)	WIRE COLOR
<b>SOLENOID COILS FOR UV-5A, UV-5AT, UV-5ATC AND UV-4R VALVES ONLY</b>						
S461	110 VAC	60	0.64	0.34	113	*
S462	208 VAC	60	0.35	0.22	276	B
S453	220 VAC	50	0.18	0.15	560	B
S463/S401	220 VAC/110 VDC	60/DC	0.20/0.15	0.15	434	*
S464/S403	440 VAC/220 VDC	60/DC	0.11/0.08	0.08	1765	B
S455	24 VDC	DC	0.12	0.12	24	B
<b>S465 ** see drawing below</b>	110 VAC/12 VDC	60/DC	0.64	0.34		
	Black Wire - 12 VDC				4.7	
	Yellow Wire - Common					
Red Wire - 110 VAC				84		



UV-5A, UV-5AT, UV-5ATC & UV-4R SOLENOID COILS



\*\* S465 Coil

\* Supplied with the following colored wires to simplify valve wiring:

- U1** coils = **Red** wires
- U2** coils = **Yellow** wires
- D1** coils = **Black** wires
- D2** coils = **Blue** wires

**NOTE:** All other solenoid coils have black wires only.