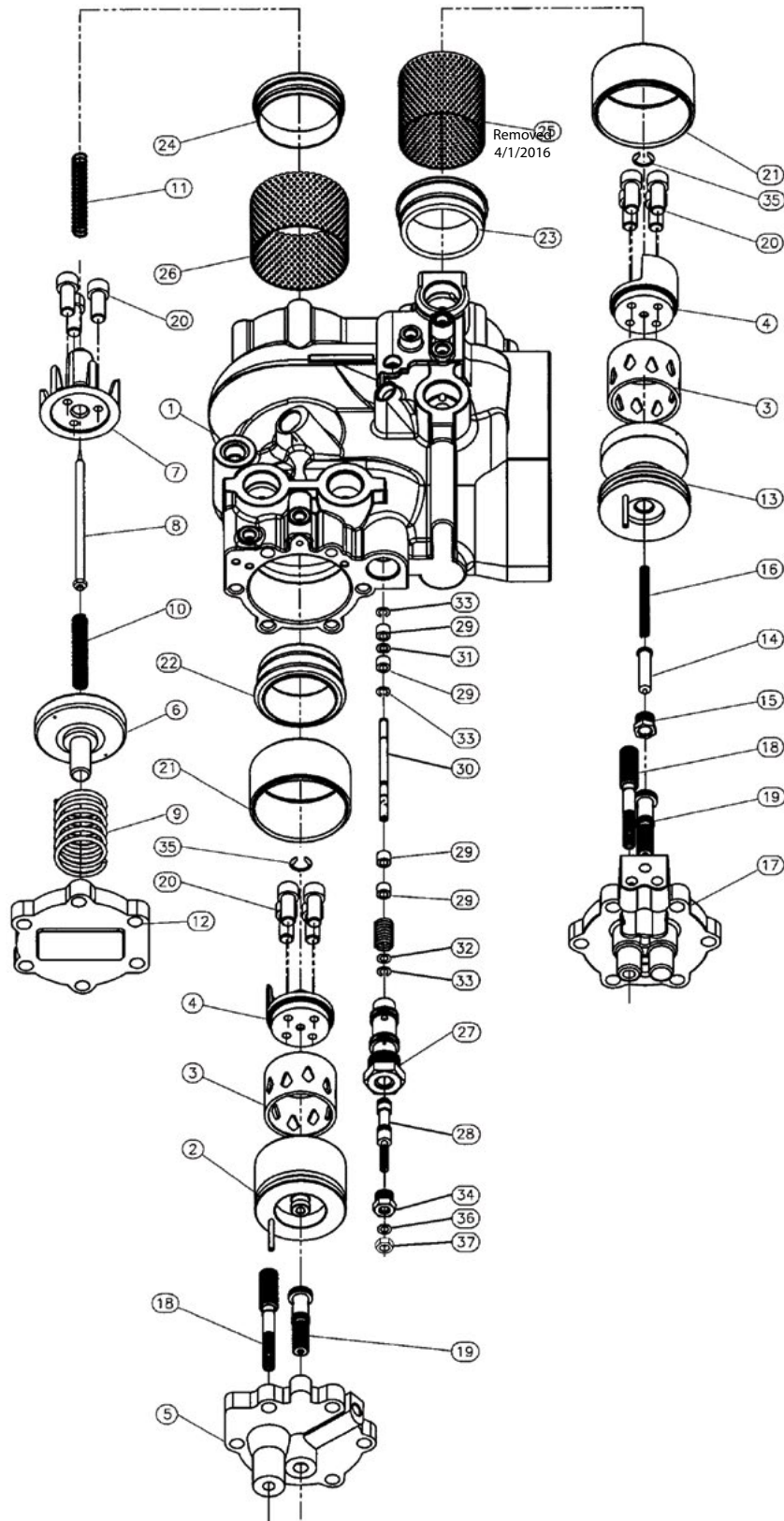


UV-7B Valve Exploded View



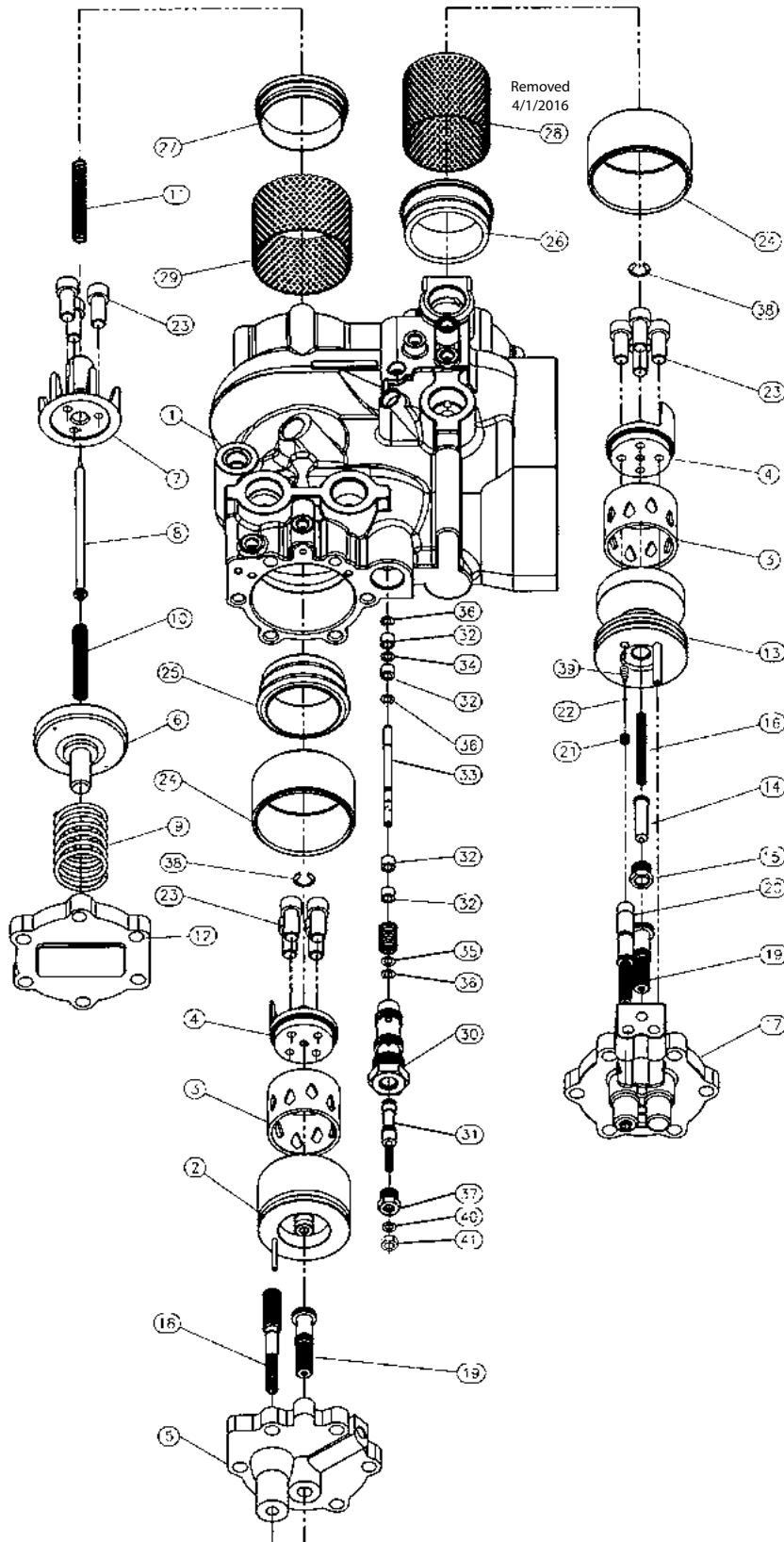
UV-7B Valve Parts List

| ITEM | PART NO. | DESCRIPTION | QTY. |
|------|----------|---------------------------------------|------|
| 1 | 5250M | UV-7B BODY | 1 |
| 2 | 5261 | BYPASS PISTON | 1 |
| 3 | 5269-TAB | BYPASS/DOWN PORT RING | 2 |
| 4 | 5270 | PORT SHIELD | 2 |
| 5 | 5258 | BYPASS FLANGE | 1 |
| 6 | 5255 | CHECK VALVE POPPET | 1 |
| 7 | 5268 | CHECK POPPET GUIDE STEMM | 1 |
| 8 | 5284BA | UP LEVEL NEEDLE ASSEMBLY | 1 |
| 9 | 5308 | CHECK PISTON SPRING | 1 |
| 10 | 5281 | NEEDLE EXTENSION SPRING | 1 |
| 11 | 5315B | BYPASS RETURN SPRING | 1 |
| 12 | 5252 | CHECK FLANGE | 1 |
| 13 | 5273 | LOWERING PISTON | 1 |
| 14 | 5262 | DOWN LEVEL NEEDLE | 1 |
| 15 | 5263 | DOWN LEVEL NEEDLE RETAINING GUIDE NUT | 1 |
| 16 | 5280 | DOWN LEVEL NEEDLE SPRING | 1 |
| 17 | 5251 | DOWN FLANGE | 1 |
| 18 | 5267 | BYPASS/DOWN MAIN SPEED ADJUSTER | 2 |
| 19 | 5191BA | LEVELING ADJUSTER ASSEMBLY | 2 |
| 20 | 5292A | CAP SCREW 1/4"-20 x 5/8" | 11 |
| 21 | 5271 | BYPASS/LOWERING CYLINDER SLEEVE | 2 |
| 22 | 5272 | BYPASS INSERT SEAT RING | 1 |
| 23 | 5283 | DOWN INSERT SEAT RING | 1 |
| 24 | 5282 | CHECK INSERT SEAT RING | 1 |
| 25 | 5304A | DOWN SCREEN ASSEMBLY | 1 |
| 26 | 5306A | PUMP INLET SCREEN ASSEMBLY | 1 |
| 27 | 5276 | UT BODY ASSEMBLY | 1 |
| 28 | 5274 | UT ADJUSTER BODY | 1 |
| 29 | 5279 | UT COMPENSATOR SHAFT PISTON SLEEVE | 4 |
| 30 | 5275B | UT COMPENSATOR SHAFT | 1 |
| 31 | 5294V | O-RING | 1 |
| 32 | 1630V | O-RING | 1 |
| 33 | 5303 | RETAINER RING | 2 |
| 34 | 5277 | UT RETAINER NUT | 1 |
| 35 | 5367 | PORT SHIELD SNAP RING | 2 |
| 36 | 5227V | O-RING | 1 |
| 37 | 5291 | NUT | 1 |

Removed 4/1/2016

NOTE: NOT ALL PARTS SHOWN SOLD INDIVIDUALLY

UV-7BC Valve Exploded View



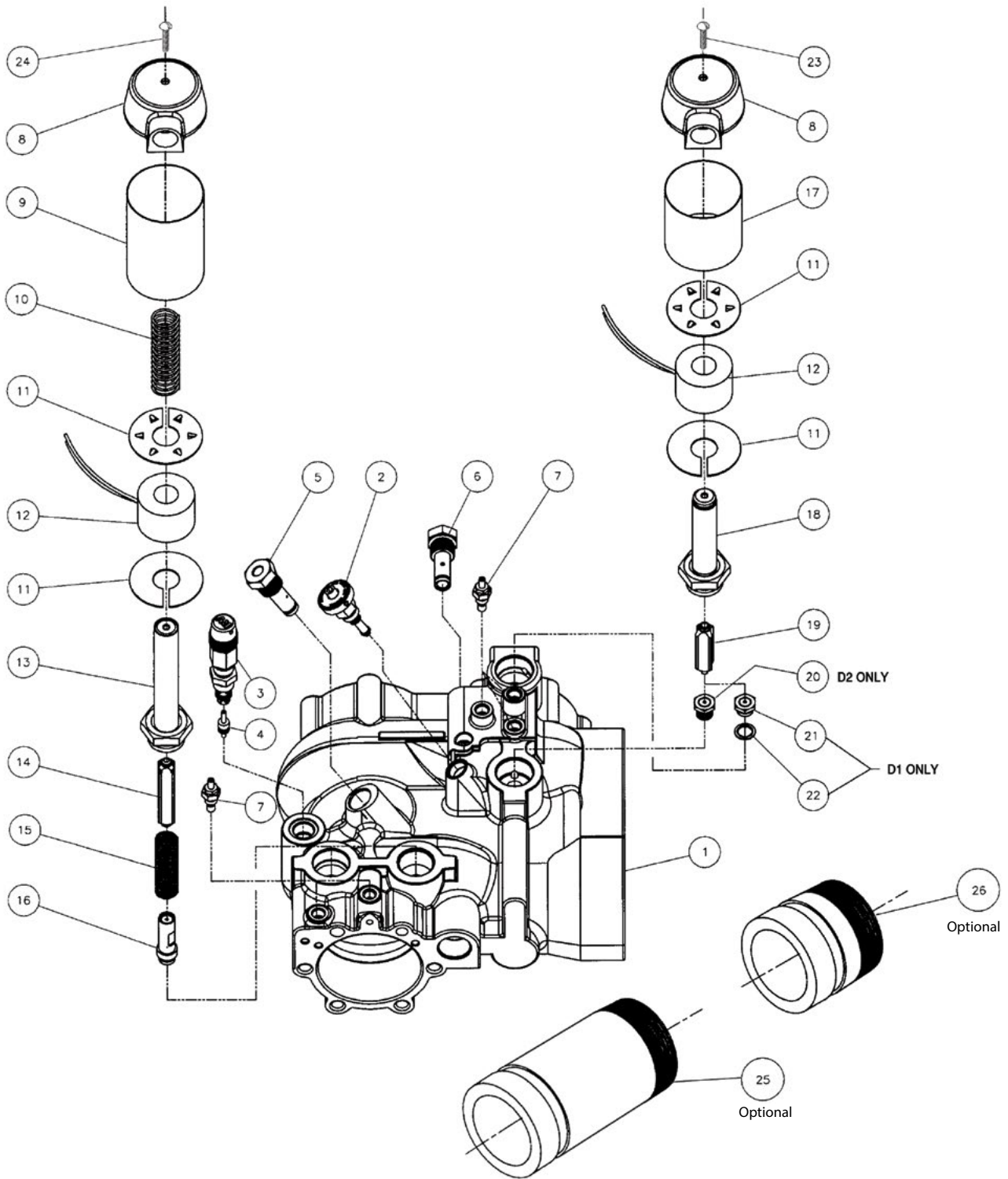
UV-7BC (Constant Down Speed) Valve Parts List

| ITEM | PART NO. | DESCRIPTION | QTY. |
|------|-----------|---------------------------------------|------|
| 1 | 5250M | UV-7B BODY | 1 |
| 2 | 5261 | BYPASS PISTON | 1 |
| 3 | 5269-TAB | BYPASS/DOWN PORT RING | 2 |
| 4 | 5270 | PORT SHIELD | 2 |
| 5 | 5258 | BYPASS FLANGE | 1 |
| 6 | 5255 | CHECK VALVE POPPET | 1 |
| 7 | 5268 | CHECK POPPET GUIDE STEM | 1 |
| 8 | 5284BA | UP LEVEL NEEDLE ASSEMBLY | 1 |
| 9 | 5308 | CHECK PISTON SPRING | 1 |
| 10 | 5281 | NEEDLE EXTENSION SPRING | 1 |
| 11 | 5315B | BYPASS RETURN SPRING | 1 |
| 12 | 5252 | CHECK FLANGE | 1 |
| 13 | 5453 | DSC LOWERING PISTON | 1 |
| 14 | 5262 | DOWN LEVEL NEEDLE | 1 |
| 15 | 5263 | DOWN LEVEL NEEDLE RETAINING GUIDE NUT | 1 |
| 16 | 5280 | DOWN LEVEL NEEDLE SPRING | 1 |
| 17 | 5458 | DSC DOWN FLANGE | 1 |
| 18 | 5267 | BYPASS MAIN SPEED ADJUSTER | 1 |
| 19 | 5191BA | LEVELING ADJUSTER ASSEMBLY | 2 |
| 20 | 5736A-TAB | DSC COMPENSATOR BODY ASSEMBLY | 1 |
| 21 | 5512 | DSC CHECK VALVE BODY | 1 |
| 22 | 5514 | DSC CHECK VALVE PISTON | 1 |
| 23 | 5292A | CAP SCREW 1/4"-20 x 5/8" | 11 |
| 24 | 5271 | BYPASS/LOWERING CYLINDER SLEEVE | 2 |
| 25 | 5272 | BYPASS INSERT SEAT RING | 1 |
| 26 | 5283 | DOWN INSERT SEAT RING | 1 |
| 27 | 5282 | CHECK INSERT SEAT RINGS | 1 |
| 28 | 5304A | DOWN SCREEN ASSEMBLY | 1 |
| 29 | 5306A | PUMP INLET SCREEN ASSEMBLY | 1 |
| 30 | 5276 | UT BODY ASSEMBLY | 1 |
| 31 | 5274 | UT ADJUSTOR BODY | 1 |
| 32 | 5279 | UT COMPENSATOR SHAFT PISTON SLEEVE | 4 |
| 33 | 5275B | UT COMPENSATOR SHAFT | 1 |
| 34 | 5294V | O-RING | 1 |
| 35 | 1630V | O-RING | 1 |
| 36 | 5303 | RETAINER RING | 2 |
| 37 | 5277 | UT RETAINER NUT | 1 |
| 38 | 5367 | PORT SHIELD SNAP RING | 2 |
| 39 | 5628 | DSC CHECK VALVE SPRING | 1 |
| 40 | 5227V | O-RING | 1 |
| 41 | 5291 | NUT | 1 |

Removed 4/1/2016

NOTE: NOT ALL PARTS SHOWN SOLD INDIVIDUALLY

UV-7B & UV-7BC Valve External Parts Exploded View



UV-7B & UV-7BC Valve External Parts List

| ITEM | PART NO. | DESCRIPTION | QTY |
|------|----------|--|-----|
| 1 | 5250M | UV-7B BODY | 1 |
| 2 | 5211BA | MANUAL LOWERING ASSEMBLY | 1 |
| 3 | 5079A | RELIEF VALVE ASSEMBLY | 1 |
| 4 | 5122BA | RELIEF VALVE PISTON | 1 |
| 5 | 5363A | UA FILTER INPUT | 1 |
| 6 | 5260-1 | DC FILTER INPUT | 1 |
| 7 | 5349A | ADJUSTER ASSEMBLY (UA, US, DC, DT, DA) | 5 |
| 8 | 2133 | COIL COVER CAP | 4 |
| 9 | 2122 | N/O COIL COVER TUBE | 2 |
| 10 | 1275 | N/O PISTON SPRING | 2 |
| 11 | 1062 | COIL WASHER | 8 |
| 12 | - | COILS (SEE CHART FOR VOLTAGE) | 4 |
| 13 | 2129A | N/O PLUNGER ENCLOSURE | 2 |
| 14 | 2125A | N/O SOLENOID PLUNGER ASSEMBLY | 2 |
| 15 | 2132 | N/O PLUNGER SPRING | 2 |
| 16 | 2391A | N/O NEEDLE ORIFICE ASSEMBLY | 2 |
| 17 | 2120 | N/C COIL COVER TUBE | 2 |
| 18 | 2164A | N/C PLUNGER ENCLOSURE | 2 |
| 19 | 1456DA | N/C SOLENOID HAMMER ASSEMBLY | 2 |
| 20 | 5353A | NEEDLE ORIFICE SEAT ASSY. (D2) | 1 |
| 21 | 1465BA | NEEDLE ORIFICE SEAT ASSY. (D1) | 1 |
| 22 | 1458 | NEEDLE ORIFICE WASHER | 1 |
| 23 | 1051-4 | N/C LONG SCREW SPACER | 2 |
| 24 | 1051-1 | N/O SHORT SCREW SPACER | 2 |
| 25 | 5633 | 2.5" LONG GROOVED ADAPTER (OPTIONAL) | 1 |
| 26 | 5632 | 2.5" SHORT GROOVED ADAPTER (OPTIONAL) | 2 |

NOTE: NOT ALL PARTS SHOWN SOLD INDIVIDUALLY

UV-7B & UV-7BC Solenoid Coils

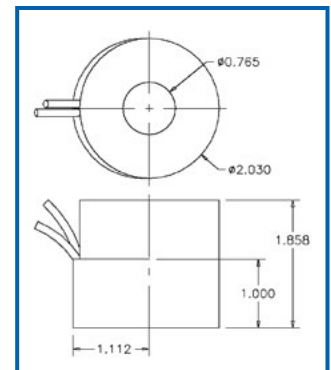
| PART NO. | VOLTAGE (V) | FREQUENCY (Hz) | IN RUSH CURRENT (A) | HOLDING CURRENT (A) | RESISTANCE (Ohm) | WIRE COLOR |
|--|-------------|----------------|---------------------|---------------------|------------------|------------|
| SOLENOID COILS FOR UV-7B AND UV-7BC VALVES ONLY | | | | | | |
| S651 | 110 VAC | 60 | 1.41 | 0.60 | 32 | * |
| S652 | 208 VAC | 60 | 0.75 | 0.32 | 102 | BLACK |
| S653 | 220 VAC | 60 | 0.70 | 0.30 | 136 | * |
| S654 | 440 VAC | 60 | 0.35 | 0.15 | 520 | BLACK |
| S655 | 550 VAC | 60 | 0.26 | 0.11 | 833 | |
| S656 | 220 VAC | 50 | 0.59 | 0.25 | 199 | |
| S752 | 110 VDC | DC | 0.40 | 0.40 | 245 | * |
| S753 | 220 VDC | DC | 0.20 | 0.20 | 985 | BLACK |

NOTE: All solenoid coils are supplied with 96" leads

* Supplied with the following colored wires to simplify valve wiring:

- U1** coils = **Red** wires
- U2** coils = **Yellow** wires
- D1** coils = **Black** wires
- D2** coils = **Blue** wires

NOTE: All other solenoid coils have black wires only.



UV-7B & UV-7BC
SOLENOID COILS