

## UV-5AT & UV-5ATC External Parts List

ITEM	PART NO.	DESCRIPTION	QTY.
1	5231	2"NPT PUMP INLET NIPPLE	1
2	5232	PUMP INLET CLAMP RING	1
3	5040	CONDUIT PLATE	1
4	5107	VALVE COVER	1
5	-	COILS(SEE CHART FOR VOLTAGE)	4
6	5047A	COIL TUBE COVERS	4
7	5042-1	COIL TUBE GROMMET	4
8	5038	CONDUIT PLATE GROMMET	1
9	5039	CONDUIT PLATE SCREW 1/4-20 X 1/4"	1
*10	5366	2" GROOVED ADAPTER	2
*11	5231-VC	2" GROOVED PUMP INLET NIPPLE	1
12	5005	FLANGE BOLT	6
*13	5620A	RIGHT HAND JACK PORT ADAPTER	1

\* OPTIONAL PARTS

**NOTE:** NOT ALL PARTS LISTED, SOLD SEPARATELY

## UV-5AT & UV-5ATC Solenoid Coils

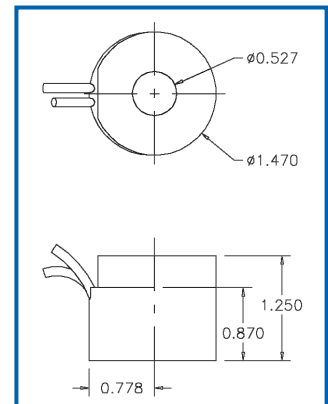
PART NO.	VOLTAGE (V)	FREQUENCY (Hz)	IN RUSH CURRENT (A)	HOLDING CURRENT (A)	RESISTANCE (Ohm)
<b>SOLENOID COILS FOR UV-5A, UV-5AT, UV-5ATC AND UV-4R VALVES ONLY</b>					
S461 *	110 VAC	60	0.64	0.34	113
S462	208 VAC	60	0.35	0.22	276
S453	220 VAC	50	0.18	0.15	560
S463/S401 *	220 VAC/110 VDC	60/DC	0.20/0.15	0.15	434
S464/S403	440 VAC/220 VDC	60/DC	0.11/0.08	0.08	1765
S455	24 VDC	DC	0.12	0.12	24
S465 ** see drawing below	110 VAC/12 VDC	60/DC	0.64	0.34	
	Black Lead - 12 VDC				4.7
	Yellow Lead-Common				
	Red Lead- 110 VAC				84

**NOTE:** All solenoid coils are supplied with 96" leads

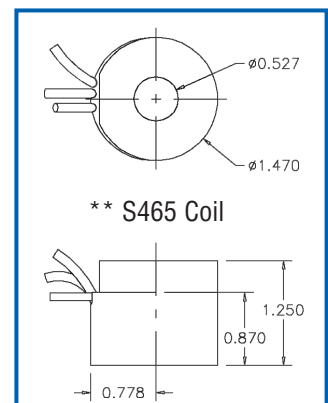
\* Supplied with the following colored wires to simplify valve wiring:

- U1** coils = **Red** wires
- U2** coils = **Yellow** wires
- D1** coils = **Black** wires
- D2** coils = **Blue** wires

**NOTE:** All other solenoid coils have black wires only.



UV-5A, UV-5AT, UV-5ATC & UV-4R SOLENOID COILS



\*\* S465 Coil