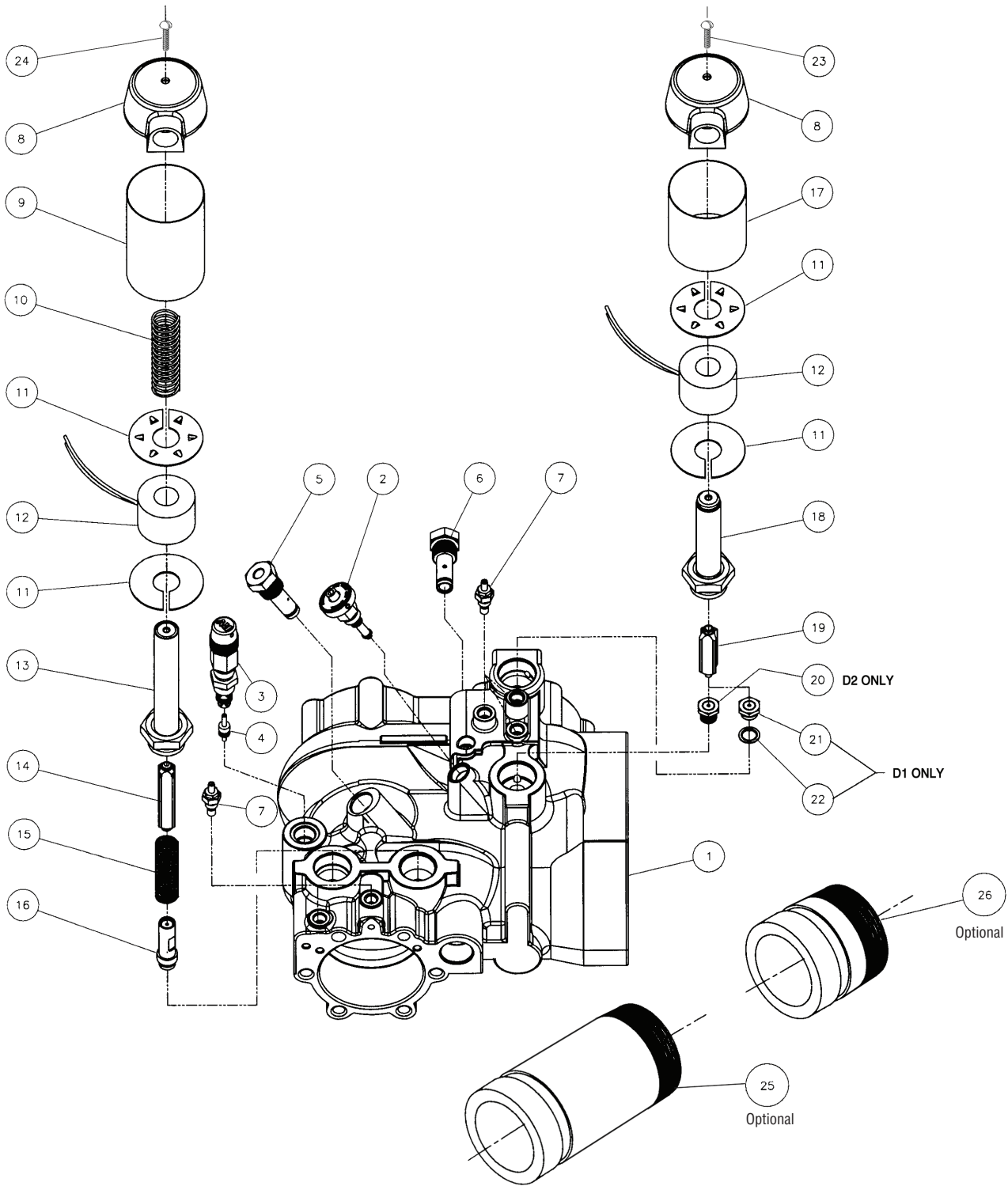


UV-7BC (Constant Down Speed) Valve Parts List

ITEM	PART NO.	DESCRIPTION	QTY.
1	5250M	UV-7B BODY	1
2	5261	BYPASS PISTON	1
3	5269-1	BYPASS/DOWN PORT RING	2
4	5270	PORT SHIELD	2
5	5258	BYPASS FLANGE	1
6	5255	CHECK VALVE POPPET	1
7	5268	CHECK POPPET GUIDE STEM	1
8	5284BA	UP LEVEL NEEDLE ASSEMBLY	1
9	5308	CHECK PISTON SPRING	1
10	5281	NEEDLE EXTENSION SPRING	1
11	5315B	BYPASS RETURN SPRING	1
12	5252	CHECK FLANGE	1
13	5453	DSC LOWERING PISTON	1
14	5262	DOWN LEVEL NEEDLE	1
15	5263	DOWN LEVEL NEEDLE RETAINING GUIDE NUT	1
16	5280	DOWN LEVEL NEEDLE SPRING	1
17	5458	DSC DOWN FLANGE	1
18	5267	BYPASS MAIN SPEED ADJUSTER	1
19	5191BA	LEVELING ADJUSTER ASSEMBLY	2
20	5457A	DSC COMPENSATOR BODY ASSEMBLY	1
21	5512	DSC CHECK VALVE BODY	1
22	5514	DSC CHECK VALVE PISTON	1
23	5292A	CAP SCREW 1/4"-20 x 5/8"	11
24	5271	BYPASS/LOWERING CYLINDER SLEEVE	2
25	5272	BYPASS INSERT SEAT RING	1
26	5283	DOWN INSERT SEAT RING	1
27	5282	CHECK INSERT SEAT RINGS	1
28	5304A	DOWN SCREEN ASSEMBLY	1
29	5306A	PUMP INLET SCREEN ASSEMBLY	1
30	5276	UT BODY ASSEMBLY	1
31	5274	UT ADJUSTER BODY	1
32	5279	UT COMPENSATOR SHAFT PISTON SLEEVE	4
33	5275B	UT COMPENSATOR SHAFT	1
34	5294V	O-RING	1
35	1630V	O-RING	1
36	5303	RETAINER RING	2
37	5277	UT RETAINER NUT	1
38	5367	PORT SHIELD SNAP RING	2
39	5628	DSC CHECK VALVE SPRING	1
40	5227V	O-RING	1
41	5291	NUT	1

NOTE: NOT ALL PARTS SHOWN SOLD INDIVIDUALLY

UV-7B & UV-7BC Valve External Parts Exploded View



UV-7B & UV-7BC Valve External Parts List

ITEM	PART NO.	DESCRIPTION	QTY
1	5250M	UV-7B BODY	1
2	5211BA	MANUAL LOWERING ASSEMBLY	1
3	5079A	RELIEF VALVE ASSEMBLY	1
4	5122BA	RELIEF VALVE PISTON	1
5	5363A	UA FILTER INPUT	1
6	5260-1	DC FILTER INPUT	1
7	5349A	ADJUSTER ASSEMBLY	5
8	2133	COIL COVER CAP	4
9	2122	N/O COIL COVER TUBE	2
10	1275	N/O PISTON SPRING	2
11	1062	COIL WASHER	8
12	-	COILS (SEE CHART FOR VOLTAGE)	4
13	2129A	N/O PLUNGER ENCLOSURE	2
14	2125A	N/O SOLENOID PLUNGER ASSEMBLY	2
15	2132	N/O PLUNGER SPRING	2
16	2391A	N/O NEEDLE ORIFICE ASSEMBLY	2
17	2120	N/C COIL COVER TUBE	2
18	2164A	N/C PLUNGER ENCLOSURE	2
19	1456DA	N/C SOLENOID HAMMER ASSEMBLY	2
20	5353A	NEEDLE ORIFICE SEAT ASSY. (D2)	1
21	1465BA	NEEDLE ORIFICE SEAT ASSY. (D1)	1
22	1458B	NEEDLE ORIFICE WASHER	1
23	1051-4	N/C LONG SCREW SPACER	2
24	1051-1	N/O SHORT SCREW SPACER	2
25	5633	2.5" LONG GROOVED ADAPTER (OPTIONAL)	1
26	5632	2.5" SHORT GROOVED ADAPTER (OPTIONAL)	2

NOTE: NOT ALL PARTS SHOWN SOLD INDIVIDUALLY

UV-7B & UV-7BC Solenoid Coils

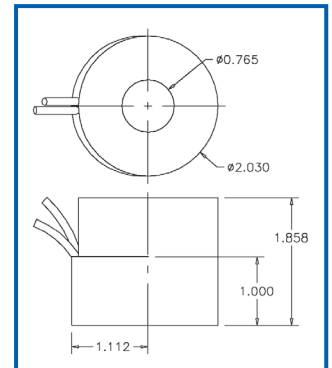
PART NO.	VOLTAGE (V)	FREQUENCY (Hz)	IN RUSH CURRENT (A)	HOLDING CURRENT (A)	RESISTANCE (Ohm)	COIL COLOR
SOLENOID COILS FOR UV-7B AND UV-7BC VALVES ONLY						
S651 *	110 VAC	60	1.41	0.60	32	BLACK
S652	208 VAC	60	0.75	0.32	102	
S653 *	220 VAC	60	0.70	0.30	136	
S654	440 VAC	60	0.35	0.15	520	
S655	550 VAC	60	0.26	0.11	833	
S656	220 VAC	50	0.59	0.25	199	
S752 *	110 VDC	DC	0.40	0.40	245	
S753	220 VDC	DC	0.20	0.20	985	

NOTE: All solenoid coils are supplied with 96" leads

* Supplied with the following colored wires to simplify valve wiring:

- U1** coils = **Red** wires
- U2** coils = **Yellow** wires
- D1** coils = **Black** wires
- D2** coils = **Blue** wires

NOTE: All other solenoid coils have black wires only.



UV-7B SOLENOID COILS