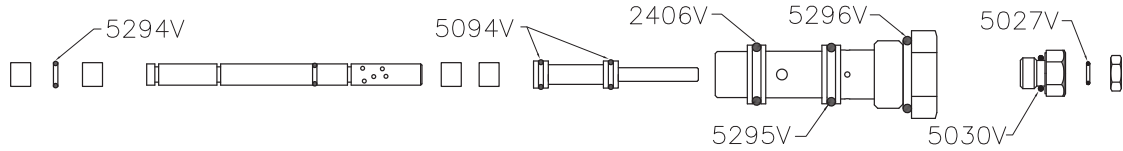
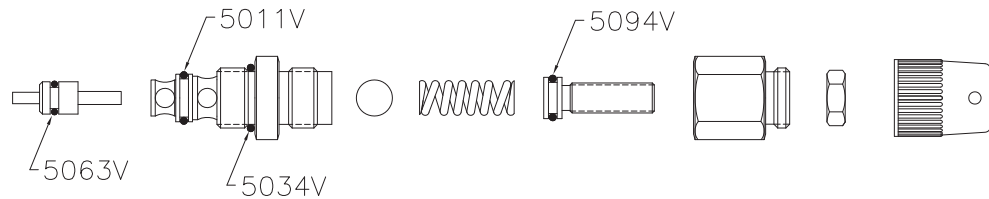


Kit # 5317V - UV-7B & BC Viton Seal Kit

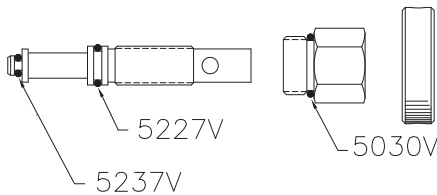
NOTE: We do not recommend rebuilding the DSC adjuster of the UV-7BC valve in the field.



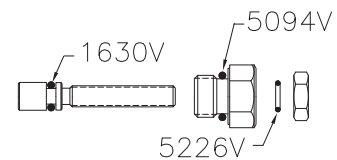
**Up Transition (UT) Compensator Assembly
Part # 5276A**



**Relief Valve (RV)
Part # 5079A**



**Manual Lowering Assembly (ML)
Part # 5211BA**

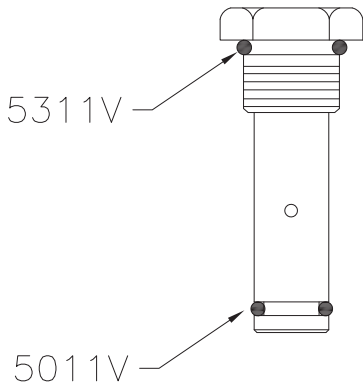


**UA, US, DA, DC, DT Adjuster Assembly
Part # 5349A**

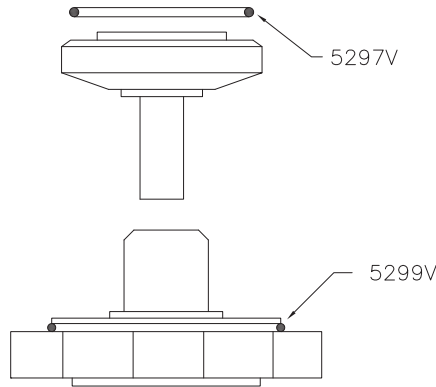
Parts Included with Kit 5317V

PART NUMBER	QTY	LOCATION & DESCRIPTION
5285V	2	O-RINGS FOR BYPASS & DOWN PISTONS
5297V	1	O-RINGS FOR CHECK PISTONS
5300V	2	O-RINGS FOR BYPASS & DOWN PISTONS
5299V	3	O-RINGS FOR BYPASS & DOWN SLEEVE,CHECK FLANGE
5301V	1	O-RINGS FOR DOWN PISTON PORT
5296V	1	O-RINGS FOR UT COMPENSATOR ASSY
5295V	1	O-RINGS FOR UT COMPENSATOR ASSY
2406V	1	O-RINGS FOR UT COMPENSATOR ASSY
5294V	1	O-RINGS FOR UT COMPENSATOR ASSY
5311V	2	O-RINGS FOR DC & UA FILTER ASSY
5193V	2	O-RINGS FOR LEVELING ADJUSTER ASSY
5034V	1	O-RINGS FOR RELIEF VALVE (RV)
5030V	2	O-RINGS FOR UT COMPENSATOR & MANUAL LOWERING
5020V	2	O-RINGS FOR BYPASS & DOWN ADJUSTER ASSY'S
5011V	3	O-RINGS FOR RELIEF VALVE (RV), DC & UA FILTER ASSY
5094V	7	O-RINGS FOR RELIEF VALVE (RV), ADJUSTERS (5), UT COMPENSATOR ASSY
5227V	12	O-RINGS FOR BYPASS PISTON ASSY, UT COMPENSATOR, ML, DOWN FLANGE, BYPASS FLANGE, BYPASS ADJUSTER ASSY & DOWN ADJUSTER ASSY
5063V	1	O-RING FOR RELIEF VALVE (RV)
5226V	5	O-RINGS FOR ADJUSTERS (5)
1630V	6	O-RINGS FOR ADJUSTERS (5) & UT COMPENSATOR ASSY
5237V	1	O-RING FOR ML

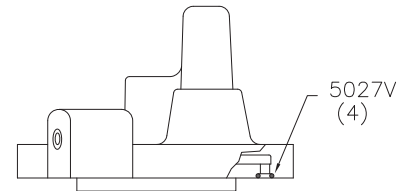
Kit # 5317V - UV-7B & BC Viton Seal Kit (cont.)



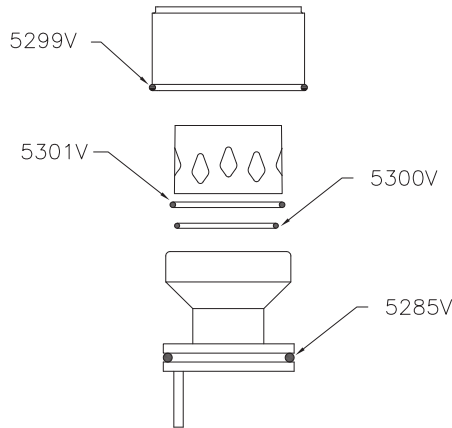
**Up Acceleration (UA)
Filter Assembly
Part # 5363A**



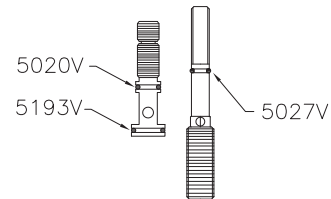
**Check Piston Assembly
Part # 5255A**



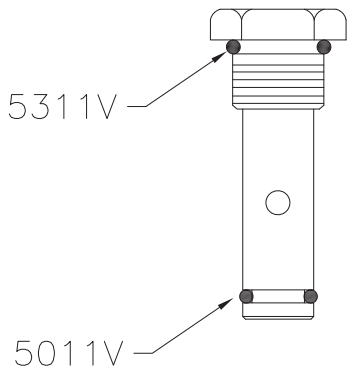
Bypass Flange



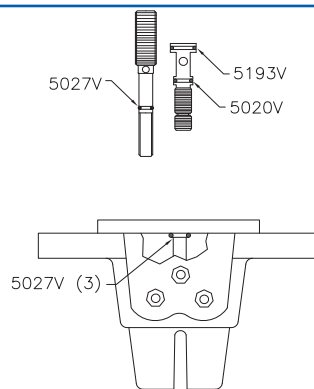
**Down Adjuster Assembly
Part # 5273A-TAB (UV-7B)
Part # 5453A-TAB (UV-7BC)**



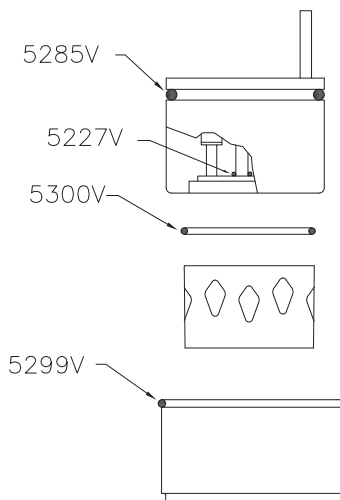
**Bypass Adjuster
Assemblies
Part # 5258A**



**Down Closing (DC)
Filter Assembly
Part # 5260-1A**



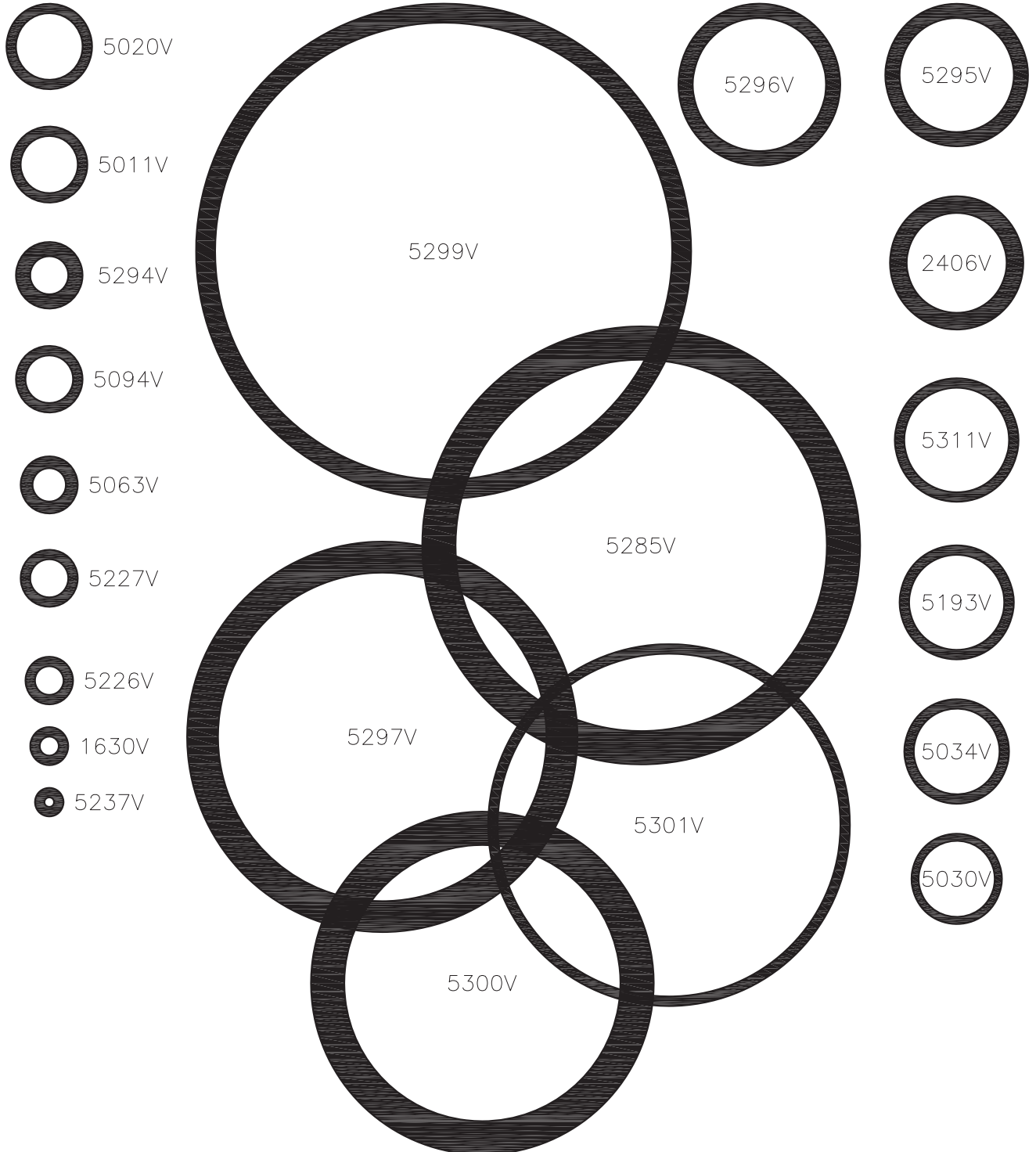
**Down Flange Assembly
Part # 5251A (UV-7B)
Part # 5258A (UV-7BC)**



**Bypass Piston Assembly
Part # 5261A-TAB**

NOTE: When replacing o-rings on down, by-pass & check piston assemblies, apply locktite compound #680 on screw thread & torque the screws 40 in.-lbs.

Kit # 5317V - UV-7B & BC Viton Seal Kit, O-Rings



Items shown not to scale.