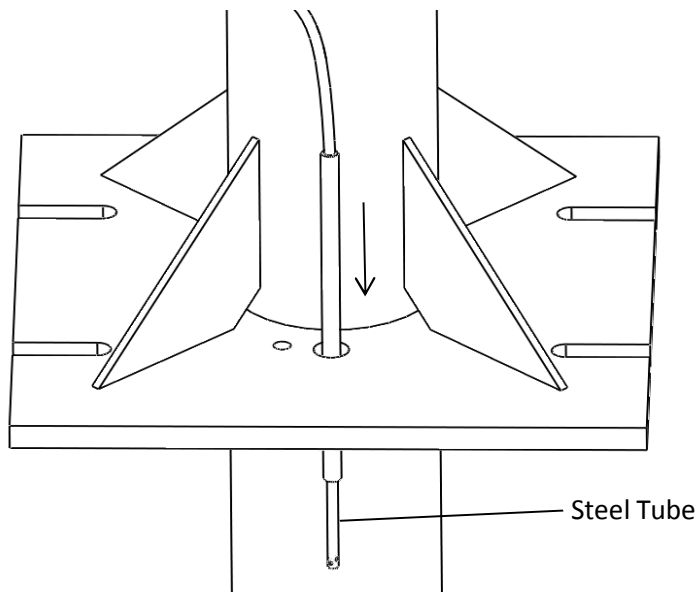


1. Remove the 3/4" pipe plug and the 1/4" pipe plug from the base plate.

NOTE: If the existing plug sizes are different than 1/4" and 3/4" please specify when ordering.

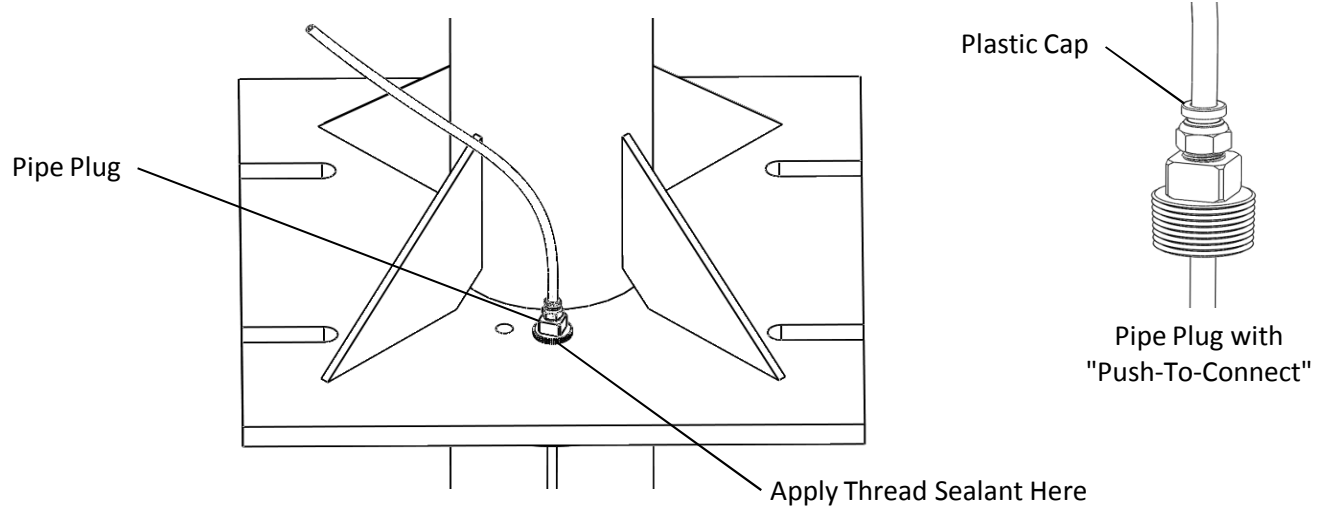


2. Push end of Evacuation Kit with the steel tube through the 3/4" hole until it hits the bottom of the PVC Liner.

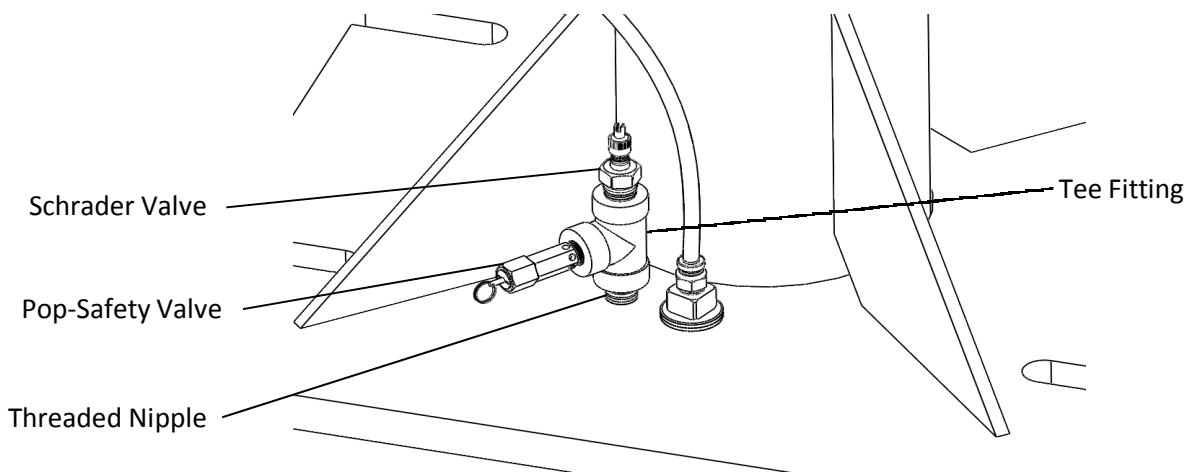


Elevator Equipment Corporation
CB-005

**Evacuation Kit
Installation Procedures**



3. Apply thread sealant to the 3/4" Pipe Plug and then tighten. To adjust slack in tube, hold down plastic cap on brass "Push-To-Connect", pull/push tube through top of pipe plug as needed to reach the bottom.



4. Apply thread sealant to all threads. Thread nipple into Tee Fitting and then tighten the threaded Nipple with Tee Fitting into the 1/4" port of the Pit Plate. Then tighten the Schrader Valve to the Tee Fitting and lastly tighten Pop-Safety Valve to Tee Fitting as shown. Make sure all fittings are pressure tight.